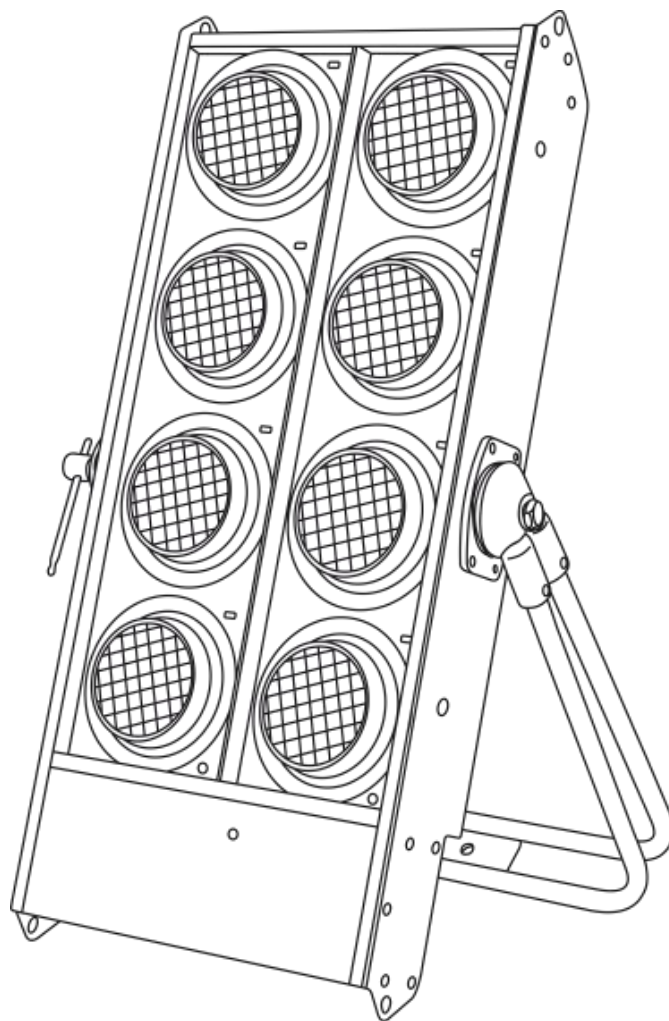




**MANUAL**



**ENGLISH**

**Stage Blinder 8 DMX**

**V2**

**Ordercode: 30774**

## **Table of contents**

---

<b>Warning</b> .....	2
Safety Instructions .....	2
Operating Determinations .....	4
Rigging .....	4
Connection with the mains.....	4
Return Procedure.....	5
Claims.....	5
<b>Description of the device</b> .....	6
Frontside.....	6
Backside .....	7
<b>Installation</b> .....	7
Installing the Lamp.....	8
<b>Set Up and Operation</b> .....	8
Control Modes.....	9
One Stage Blinder (Auto Mode) .....	9
One Stage Blinder (Manual Mode).....	9
Multiple Stage Blinders (DMX control) .....	10
DIP Switch Setting for DMX Mode .....	11
DMX Address Quick Reference Chart .....	12
Fixture Linking.....	13
Data Cabling.....	13
DMX Channels .....	13
2 channels .....	13
<b>Maintenance</b> .....	14
Changing the Lamp.....	14
Replacing the Fuse.....	14
<b>Troubleshooting</b> .....	15
No Light.....	15
No Response to DMX.....	15
<b>Product Specifications</b> .....	17
<b>Dimensions</b> .....	18

## Warning



**For your own safety, please read this user manual carefully  
before your initial start-up!**

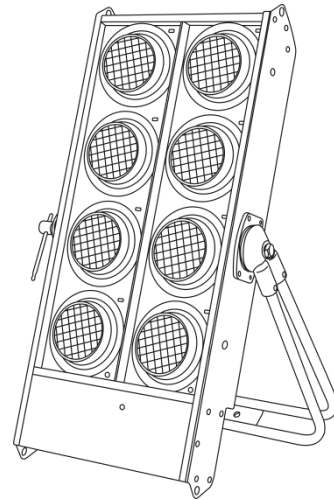


## Unpacking Instructions

Immediately upon receiving this product, carefully unpack the carton and check the contents to ensure that all parts are present, and have been received in good condition. Notify the dealer immediately and retain packing material for inspection if any parts appear damaged from shipping or the carton itself shows signs of mishandling. Save the carton and all packing materials. In the event that a fixture must be returned to the factory, it is important that the fixture be returned in the original factory box and packing.

## Your shipment includes:

- Showtec Stage Blinder 8 DMX with a fixed power cable, without a plug (1 m)
- User manual



**CAUTION!**  
**Keep this device away from rain and moisture!**  
**Unplug mains lead before opening the housing!**



## Safety Instructions

Every person involved with the installation, operation and maintenance of this device has to:

- be qualified
- follow the instructions of this manual



**CAUTION! Be careful with your operations.**  
**With a dangerous voltage you can suffer  
a dangerous electric shock when touching the wires!**



Before the initial start-up, please make sure that there is no damage caused by transportation. Should there be any, consult your dealer and do not use the device.

To maintain perfect condition and to ensure a safe operation, it is absolutely necessary for the user to follow the safety instructions and warning notes written in this manual.

Please consider that damages caused by manual modifications to the device are not subject to warranty.

This device contains no user-serviceable parts. Refer servicing to qualified technicians only.

### IMPORTANT:

The manufacturer will not accept liability for any resulting damages caused by the non-observance of this manual or any unauthorized modification to the device.

- Never let the power cord come into contact with other cables! Handle the power cord and all connections with the mains with particular caution!
- Never remove warning or informative labels from the unit.
- Never use anything to cover the ground contact.
- Never run the device without lamp!
- Never leave any cables lying around.
- Never look directly into the light source.
- Never use the device during thunderstorms, unplug the device immediately.
- Do not insert objects into air vents.
- Do not open the device and do not modify the device.
- Do not connect this device to a dimmerpack.
- Do not shake the device. Avoid brute force when installing or operating the device.
- Do not switch the device on and off in short intervals, as this would reduce the system's life.
- Do not touch the device's housing bare-handed during its operation (housing becomes very hot).
- Only use device indoors, avoid contact with water or other liquids.
- Only operate the fixture after having checked that the housing is firmly closed and all screws are tightly fastened.
- Only operate the device after having familiarized with its functions.
- Avoid flames and do not put close to flammable liquids or gases.
- Always replace the lamp, when it is damaged or deformed due to the heat.
- Always keep case closed while operating.
- Always allow free air space of at least 50 cm around the unit for ventilation.
- Always disconnect power from the mains, when device is not used or before cleaning! Only handle the power cord by the plug. Never pull out the plug by tugging the power cord.
- Make sure that the device is not exposed to extreme heat, moisture or dust.
- Make sure that the available voltage is not higher than stated on the rear panel.
- Make sure that the power cord is never crimped or damaged. Check the device and the power cord from time to time.
- The cable insert or the female part in the device must never be strained. There must always be sufficient cable to the device. Otherwise, the cable may be damaged which may lead to deadly electrical shocks.
- If one of the lamps is obviously damaged, it has to be replaced. So that its functions are not impaired, due to cracks or deep scratches.
- If the external cable is damaged, it has to be replaced by a qualified technician.
- If device is dropped or struck, disconnect mains power supply immediately. Have a qualified engineer inspect for safety before operating.
- If the device has been exposed to drastic temperature fluctuation (e.g. after transportation), do not switch it on immediately. The arising condensation water might damage your device. Leave the device switched off until it has reached room temperature.
- If your Showtec device fails to work properly, discontinue use immediately. Pack the unit securely (preferably in the original packing material), and return it to your Showtec dealer for service.
- For adult use only. The device must be installed out of the reach of children. Never leave the unit running unattended.
- The user is responsible for correct positioning and operating of the Stage Blinder 8 DMX. The manufacturer will not accept liability for damages caused by the misuse or incorrect installation of this device.
- This device falls under protection class I. Therefore it is essential to connect the yellow/green conductor to earth.
- For replacement use lamps and fuses of same type and rating only.
- Allow time to cool down, before replacing lamp.
- Repairs, servicing and electric connection must be carried out by a qualified technician.
- WARRANTY: Till one year after date of purchase.

	<b>CAUTION! Eyedamages!!!</b> <b>Avoid looking directly into the lightsource!!!</b> <b>(meant especially for epileptics)!!!</b>	
---	---	---

**Operating Determinations**

- This device is not designed for permanent operation. Consistent operation breaks will ensure that the device will serve you for a long time without defects.
- The minimum distance between light output and the illuminated surface must be bigger than 2 meters.
- The maximum ambient temperature  $t_a = 40^{\circ}\text{C}$  must never be exceeded.
- The relative humidity must not exceed 50 % with an ambient temperature of  $40^{\circ}\text{C}$ .
- If this device is operated in any other way than the one described in this manual, the product may suffer damages and the warranty becomes void.
- Any other operation may lead to dangers like short-circuit, burns, electric shock, crash etc.

*You endanger your own safety and the safety of others!*

**Rigging**

*Please follow the European and national guidelines concerning rigging, trussing and all other safety issues.*

*Do not attempt the installation yourself!*

*Always have the inspections carried out by an authorized dealer!*

**Procedure:**

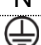
- If the Stage Blinder is lowered from the ceiling or high joists, professional trussing systems have to be used.
- Use a clamp to mount the Stage Blinder, with the mounting bracket, to the trussing system.
- The Stage Blinder must never be fixed swinging freely in the room.
- The installation must always be secured with a safety attachment, e.g. an appropriate safety net or safety cable.
- When rigging, derigging or servicing the Stage Blinder, always make sure, that the area below the installation site is secured and that there are not any unauthorized people around.

*Improper installation can cause serious injuries and/or damage of property!*

**Connection with the mains**

Connect the device to the mains with the power-plug.

Always check if the right color cable is connected to the right place.

International	EU Cable	UK Cable	US Cable	Pin
L	BROWN	RED	YELLOW/COPPER	PHASE
N	BLUE	BLACK	SILVER	NEUTRAL
	YELLOW/GREEN	GREEN	GREEN	PROTECTIVE GROUND

*Make sure that the device is always properly connected to the earth!*

*Improper installation can cause serious injuries and/or damage of property!*



### Return Procedure



Returned merchandise must be sent prepaid and in the original packing, call tags will not be issued. Package must be clearly labeled with a Return Authorization Number (RMA number). Products returned without an RMA number will be refused. Highlite will not accept the returned goods or any responsibility. Call Highlite 0031-455667723 or mail [offersales@highlite.nl](mailto:offersales@highlite.nl) and request an RMA prior to shipping the fixture. Be prepared to provide the model number, serial number and a brief description of the cause for the return. Be sure to properly pack fixture, any shipping damage resulting from inadequate packaging is the customer's responsibility. Highlite reserves the right to use its own discretion to repair or replace product(s). As a suggestion, proper UPS packing or double-boxing is always a safe method to use.

**Note: If you are given an RMA number, please include the following information on a piece of paper inside the box:**

- 01) Your name
- 02) Your address
- 03) Your phone number
- 04) A brief description of the symptoms

### Claims

The client has the obligation to check the delivered goods immediately upon delivery for any shortcomings and/or visible defects, or perform this check after our announcement that the goods are at their disposal. Damage incurred in shipping is the responsibility of the shipper; therefore the damage must be reported to the carrier upon receipt of merchandise.

It is the customer's responsibility to notify and submit claims with the shipper in the event that a fixture is damaged due to shipping. Transportation damage has to be reported to us within one day after receipt of the delivery.

Any return shipment has to be made post-paid at all times. Return shipments must be accompanied with a letter defining the reason for return shipment. Non-prepaid return shipments will be refused, unless otherwise agreed in writing.

Complaints against us must be made known in writing or by fax within 10 working days after receipt of the invoice. After this period complaints will not be handled anymore.

Complaints will only then be considered if the client has so far complied with all parts of the agreement, regardless of the agreement of which the obligation is resulting.

## Description of the device

### Features

The Stage Blinder 8 DMX is a LED system from Showtec.

- Input voltage: 240V AC, 50Hz
- Power consumption: 2 x 2600W
- Light source: 8 x Par 36 120V/650W (DWE)
- Control protocol: DMX-512
- Control modes: Auto, Manual, DMX
- DMX mode: 2 channels
- Dimmer: 0-100%
- Housing: Aluminum
- Color: Black
- Connections: fixed cable without plug & 3-pin XLR IN/OUT
- IP rating: IP-20
- Fuse: F15AL/250V
- Dimensions: 485 x 84 x 810 mm (LxWxH)
- Weight: 10,9 kg

### Optional accessories:

[70351B](#) – 50 mm Half Coupler

[70359B](#) – 50 mm Quick Coupler

[80117](#) – Par 36 G53 Screw MFL GE

### Frontside

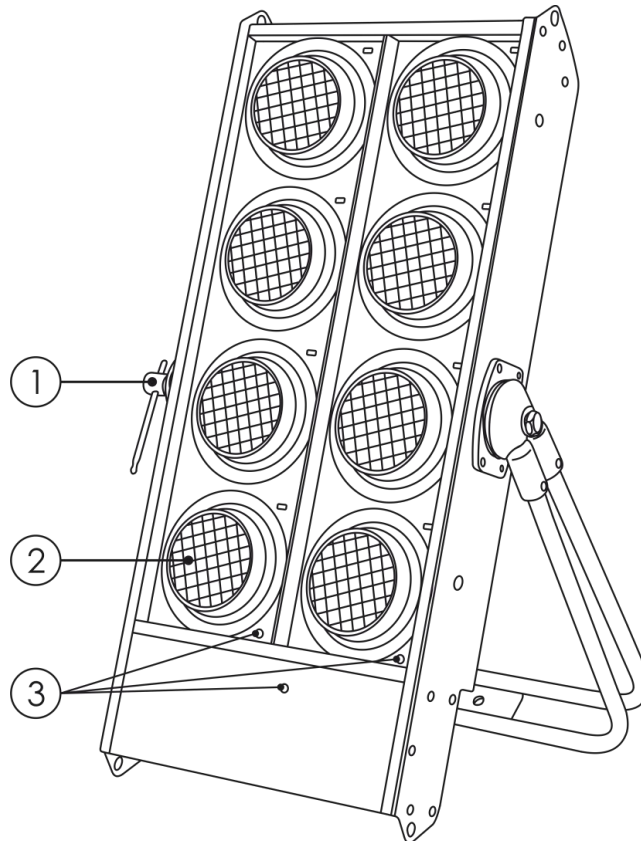


Fig. 01

- 01) Mounting bracket with adjustment screw  
02) Par 36 120V/650W (DWE)  
03) Ground/earth connection

## Backside

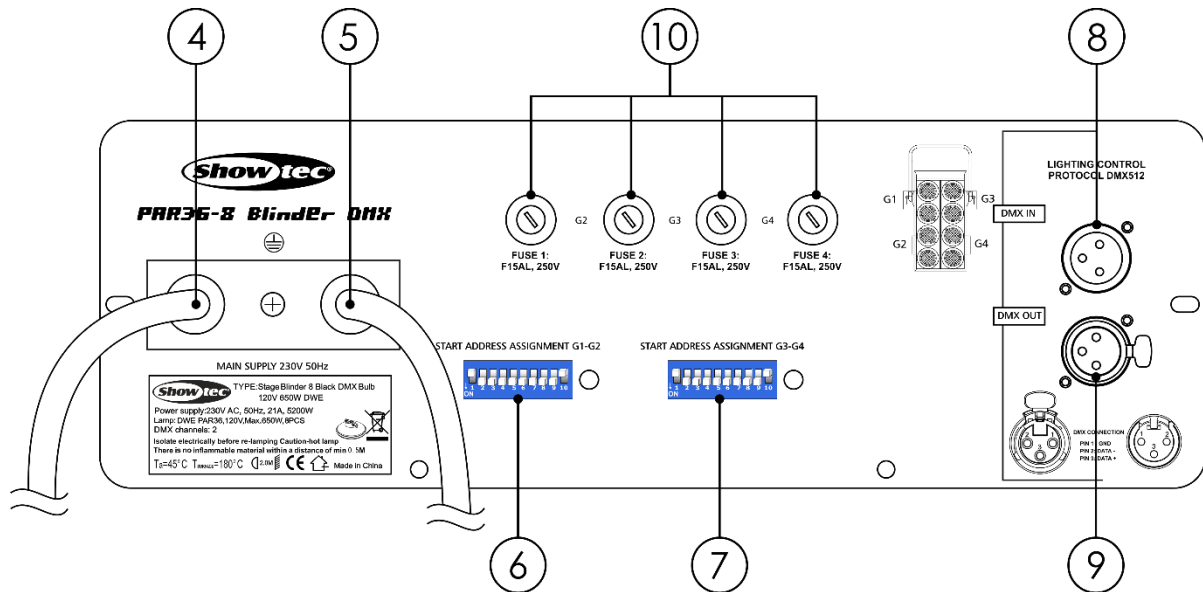


Fig. 02

- 04) Power cable 240V AC, IN (G1-G2)
- 05) Power cable 240V AC, IN (G3-G4)
- 06) DIP switches (G1-G2)
- 07) DIP switches (G3-G4)
- 08) 3-pin DMX signal connector OUT
- 09) 3-pin DMX signal connector IN
- 10) 4 x Fuse F15AL/250V

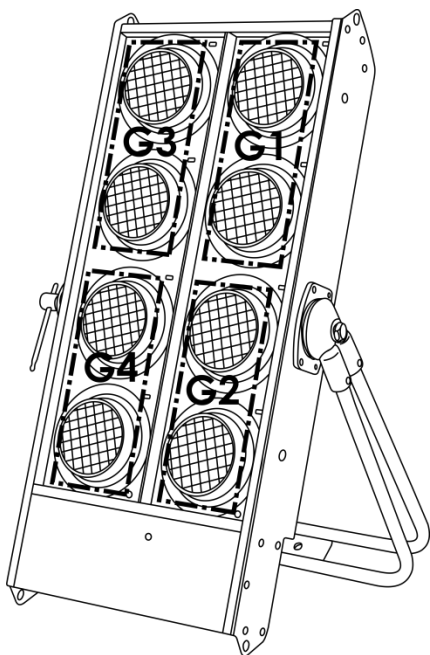


Fig. 03

The Stage Blinder's light output is divided into 4 sections: G1, G2, G3 and G4.

By flipping the DIP switches on the left control panel **(06)** you can control sections G1 and G2.

By flipping the DIP switches on the right control panel **(07)** you can control sections G3 and G4.

## Installation

Remove all packing materials from the Showtec Stage Blinder 8 DMX. Check if all foam and plastic padding is removed. Connect all cables.

**Do not supply power before the whole system is set up and connected properly.**

**Always disconnect from electric mains power supply before cleaning or servicing.**

**Damages caused by non-observance are not subject to warranty.**



### Installing the Lamp

The Stage Blinder 8 DMX uses the Par 36 G53 Screw MFL GE 120V/650W (DWE) bulb (ordercode **80117**) as manufactured by all popular manufacturers. Use only the appropriate lamp for your unit. Note that, product versions that use other lamps, may be offered in the future. Check your product specification label for information.

**Always disconnect from electric mains power supply before changing lamps.**

The lamp has to be replaced when it is damaged or deformed due to the heat.

**Do not install lamps with higher wattage!** Lamps with higher wattage generate temperatures the device was not designed for.

**Damages caused by non-observance are not subject to warranty.**

### Procedure

- 01) Loosen the 2 screws on the front of the lamp housing.
- 02) Gently remove the metal lamp housing.
- 03) Read lamp instructions. Do not touch the lamp bulb glass. Gently remove the lamp from its socket.
- 04) Unscrew the 2 wires on the back of the lamp and remove the lamp. Oil on hands shortens the lamp life. (If you touch the bulb glass, wipe off the glass with a clean, lint-free towel and rubbing alcohol.)
- 05) Take the new lamp out of the box.
- 06) Take the 2 cables and tighten the screws on the back of the lamp. Place the lamp in the socket.
- 07) Put the metal lamp housing back and fasten the 2 screws snugly.

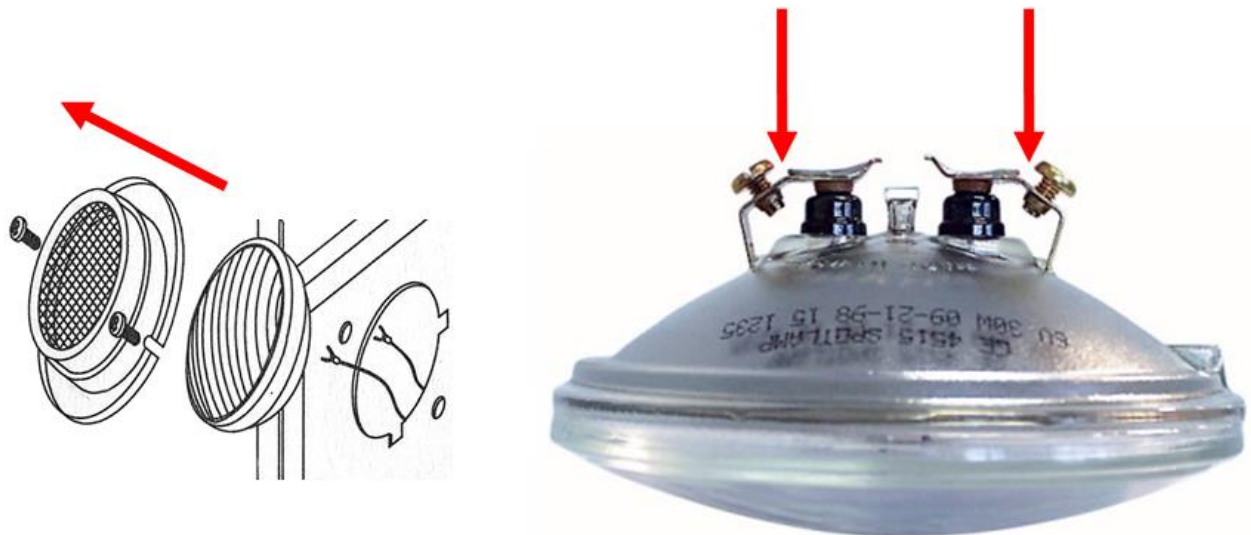


Fig. 04

### Set Up and Operation

Follow the directions below, as they pertain to your preferred operation mode.

Before plugging the unit in, always make sure that the power supply matches the product specification voltage. Do not attempt to operate a 120V specification product on 230V power, or vice versa.

Connect the device to the main power supply.



#### CAUTION! DANGER!!!

**Never point the light beam at any humans, animals or objects.  
It will result in severe burns and/or damage of property!!!**

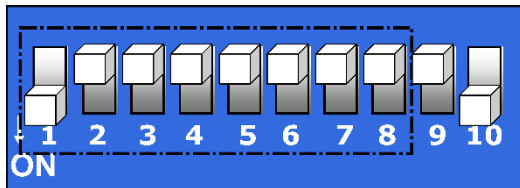


## Control Modes

- There are 3 modes:
- Auto mode
  - Manual mode
  - DMX-512

### One Stage Blinder (Auto Mode)

- 01) Fasten the effect light to a firm trussing. Leave at least 0,5 meter on all sides for air circulation.
- 02) Always use a safety cable (ordercode 70140 / 70141).
- 03) Plug the end of the electric mains power cord into a proper electric power supply socket.
- 04) When the Stage Blinder is not connected with a DMX cable, it functions as a stand-alone device.
- 05) To activate Auto mode on both spots, flip DIP switch #10 on both DIP switch panels (**06, 07**) to ON and DIP switch #9 to OFF.

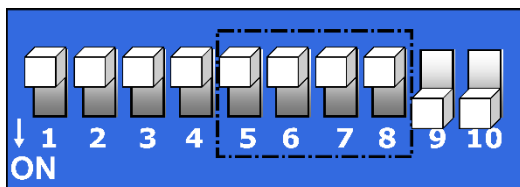


**Auto Mode:** DIP switch #9 to OFF / DIP switch # 10 to ON.

- 06) Flip DIP switches #1-8 to set the fade speed:  
DIP switch #1 ON = fastest fade speed  
DIP switch #8 ON = slowest fade speed

### One Stage Blinder (Manual Mode)

- 01) Fasten the effect light to a firm trussing. Leave at least 0,5 meter on all sides for air circulation.
- 02) Always use a safety cable (ordercode 70140 / 70141).
- 03) Plug the end of the electric mains power cord into a proper electric power supply socket.
- 04) When the Stage Blinder is not connected with a DMX cable, it functions as a stand-alone device.
- 05) To activate Manual mode on both spots, flip DIP switches # 9-10 on both DIP switch panels (**06, 07**) to ON.

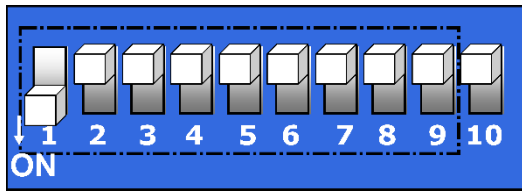


**Manual Mode:** DIP switches #9-10 to ON.

- 06) Flip DIP switches #5-8 to set the dimmer intensity, from dark to brightest:  
DIP switch #5 ON = darkest  
DIP switch #8 ON = brightest
- 07) If DIP switches #5-8 are all set to OFF, the lamps will be OFF.
- 08) DIP switches #1-4 are not functional in Manual Mode.

## Multiple Stage Blinders (DMX control)

- 01) Fasten the effect light to a firm trussing. Leave at least 0,5 meter on all sides for air circulation.
- 02) Always use a safety cable (ordercode 70140 / 70141).
- 03) Use a 3-pin XLR cable to connect the Stage Blinder and other devices.
- 04) Flip DIP switch # 10 on both DIP switch panels (**06, 07**) to OFF.
- 05) Flip DIP switches # 1-9 to set the desired DMX address.



**DMX Control:** DIP switch # 10 to OFF.

Flip DIP switches # 1-9 to set the desired DMX address. See pages 11-12 for more information.

The pins:



- 01) Earth
- 02) Signal -
- 03) Signal +



- Pin 1: GND (screen)
- Pin 2: Signal (-)
- Pin 3: Signal (+)
- Pin 4: N/C
- Pin 5: N/C

- Pin 1: GND (screen)
- Pin 2: Signal (-)
- Pin 3: Signal (+)



- Pin 1: GND (screen)
- Pin 2: Signal (-)
- Pin 3: Signal (+)

- Pin 1: GND (screen)
- Pin 2: Signal (-)
- Pin 3: Signal (+)
- Pin 4: N/C
- Pin 5: N/C

- 06) Link the units as shown in Fig. 05. Connect the first unit's DMX "out" socket with the second unit's "in" socket, using a DMX signal cable. Repeat this process to link the second, third, and fourth units.
- 07) Supply electric power: Plug electric mains power cords into proper electric power supply sockets, starting with the first unit. Do not supply power before the whole system is set up and connected properly.

## Multiple Stage Blinders DMX Set Up

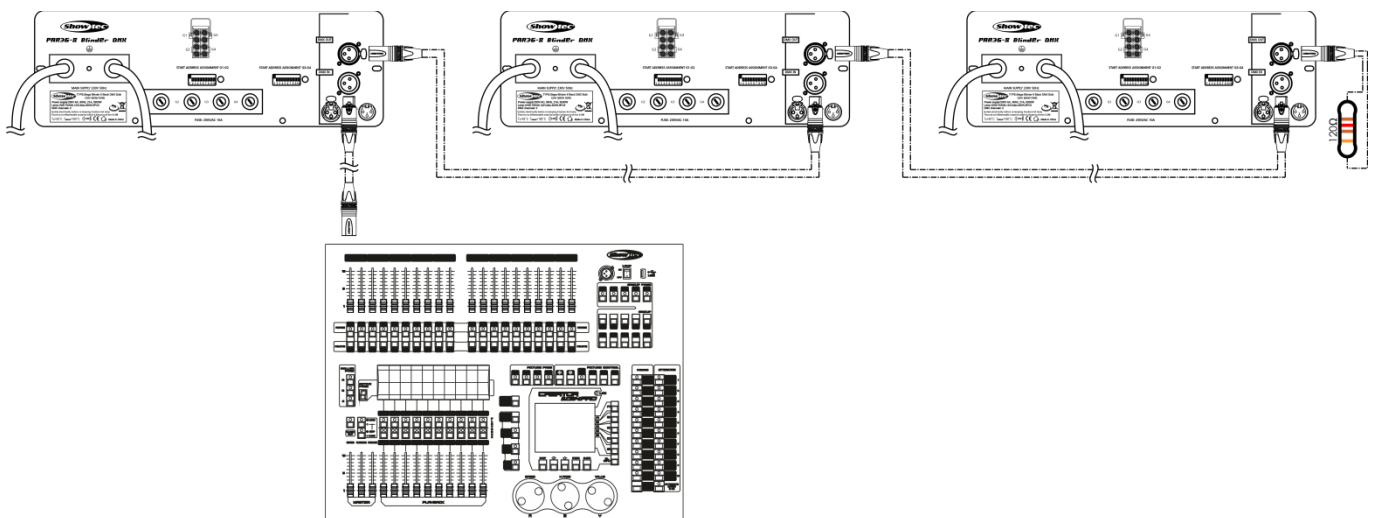
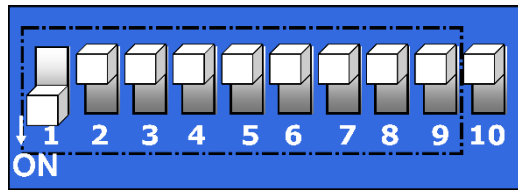


Fig. 05

Note : Link all cables and set DIP switches before connecting electric power

## DIP Switch Setting for DMX Mode

DMX products must have their own "address" to receive DMX signals. Addresses on the controller are set by flipping the appropriate DMX DIP switches #1 - #9.



You need to know that DMX address settings are the sum of the dip switch values. A standard DMX address for a Showtec Stage Blinder, which has 2 channels is as follow:

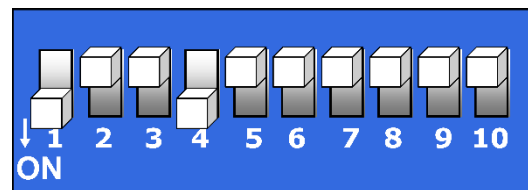
### Example

**Stage Blinder**  
Unit 5

**Address Value**  
9

**DMX DIP Switches ON**  
#1, #4

Switch	Value
#1	1
#4	8 +
Total sum:	9



Explanation: Since each unit has 2 channels, each address advances by 2 values (See Address Value above).

Once the address values have been determined, add DIP switch values to obtain the appropriate address (DMX DIP Switches ON) for each unit. Flip the appropriate DIP switches on each unit.

### Example:

- 01) If you want to give a Stage Blinder a DMX address of 133, you first have to find the number 133 in the DMX Chart.
- 02) Then look at the left side (DIP Switches #1-5) horizontally from 133. In the table you will see #1=ON, #2=OFF, #3=ON, #4=OFF, #5=OFF.
- 03) Finally, look at the upper side of the table (DIP Switches #6-9) vertically from 133. In the table you will see #6=OFF, #7=OFF, #8=ON, #9=OFF.

## DMX Address Quick Reference Chart

DMX DIP SWITCH SET					#9	#8	#7	#6
0=OFF					0	1	0	0
1=ON					0	1	0	1

#1	#2	#3	#4	#5	
0	0	0	0	0	32
1	0	0	0	0	33
0	1	0	0	0	34
1	1	0	0	0	35
0	0	1	0	0	36
1	0	1	0	0	37
0	1	1	0	0	38
					64
					65
					66
					67
					68
					69
					70
					96
					97
					98
					99
					100
					101
					102
					128
					129
					130
					131
					132
					133
					134
					160
					161
					162
					163
					164
					165
					166

## DMX Address Quick Reference Chart

DMX DIP SWITCH SET 0=OFF 1=ON					Dip Switch Position																
					#9	0	0	0	0	0	0	0	0	1	1	1	1	1	1	1	1
#8	0	0	0	0	1	1	1	1	0	0	0	0	1	1	1	1	1				
#7	0	0	1	1	0	0	1	1	0	0	1	1	0	0	1	1	1				
#6	0	1	0	1	0	1	0	1	0	1	0	1	0	1	0	1	1				
#1	#2	#3	#4	#5		32	64	96	128	160	192	224	256	288	320	352	384	416	448	480	
0	0	0	0	0	1	33	65	97	129	161	193	225	257	289	321	353	385	417	449	481	
1	0	0	0	0	2	34	66	98	130	162	194	226	258	290	322	354	386	418	450	482	
0	1	0	0	0	3	35	67	99	131	163	195	227	259	291	323	355	387	419	451	483	
1	1	0	0	0	4	36	68	100	132	164	196	228	260	292	324	356	388	420	452	484	
0	0	1	0	0	5	37	69	101	133	165	197	229	261	293	325	357	389	421	453	485	
1	0	1	0	0	6	38	70	102	134	166	198	230	262	294	326	358	390	422	454	486	
0	1	1	0	0	7	39	71	103	135	167	199	231	263	295	327	359	391	423	455	487	
1	1	1	0	0	8	40	72	104	136	168	200	232	264	296	328	360	392	424	456	488	
0	0	0	1	0	9	41	73	105	137	169	201	233	265	297	329	361	393	425	457	489	
1	0	0	1	0	10	42	74	106	138	170	202	234	266	298	330	362	394	426	458	490	
0	1	0	1	0	11	43	75	107	139	171	203	235	267	299	331	363	395	427	459	491	
1	1	0	1	0	12	44	76	108	140	172	204	236	268	300	332	364	396	428	460	492	
0	0	1	1	0	13	45	77	109	141	173	205	237	269	301	333	365	397	429	461	493	
1	0	1	1	0	14	46	78	110	142	174	206	238	270	302	334	366	398	430	462	494	
0	1	1	1	0	15	47	79	111	143	175	207	239	271	303	335	367	399	431	463	495	
1	1	1	1	0	16	48	80	112	144	176	208	240	272	304	336	368	400	432	464	496	
0	0	0	0	1	17	49	81	113	145	177	209	241	273	305	337	369	401	433	465	497	
1	0	0	0	1	18	50	82	114	146	178	210	242	274	306	338	370	402	434	466	498	
0	1	0	0	1	19	51	83	115	147	179	211	243	275	307	339	371	403	435	467	499	
1	1	0	0	1	20	52	84	116	148	180	212	244	276	308	340	372	404	436	468	500	
0	0	1	0	1	21	53	85	117	149	181	213	245	277	309	341	373	405	437	469	501	
1	0	1	0	1	22	54	86	118	150	182	214	246	278	310	342	374	406	438	470	502	
0	1	1	0	1	23	55	87	119	151	183	215	247	279	311	343	375	407	439	471	503	
1	1	1	0	1	24	56	88	120	152	184	216	248	280	312	344	376	408	440	472	504	
0	0	0	1	1	25	57	89	121	153	185	217	249	281	313	345	377	409	441	473	505	
1	0	0	1	1	26	58	90	122	154	186	218	250	282	314	346	378	410	442	474	506	
0	1	0	1	1	27	59	91	123	155	187	219	251	283	315	347	379	411	443	475	507	
1	1	0	1	1	28	60	92	124	156	188	220	252	284	316	348	380	412	444	476	508	
0	0	1	1	1	29	61	93	125	157	189	221	253	285	317	349	381	413	445	477	509	
1	0	1	1	1	30	62	94	126	158	190	222	254	286	318	350	382	414	446	478	510	
0	1	1	1	1	31	63	95	127	159	191	223	255	287	319	351	383	415	447	479	511	
1	1	1	1	1																	

Dip Switch Position

DMX Address

## Fixture Linking

You will need a serial data link to run light shows of one or more fixtures using a DMX-512 controller or to run synchronized shows of two or more fixtures set to a master/slave operating mode. The combined number of channels required by all the fixtures on a serial data link determines the number of fixtures the data link can support.

**Important:** Fixtures on a serial data link must be daisy-chained in a single line. To comply with the EIA-485 standard, no more than 30 devices should be connected on one data link. Connecting more than 30 fixtures on one serial data link without the use of a DMX optically isolated splitter may result in deterioration of the digital DMX signal.  
Maximum recommended DMX data link distance: 100 meters  
Maximum recommended number of fixtures on a DMX data link: 30 fixtures



## Data Cabling

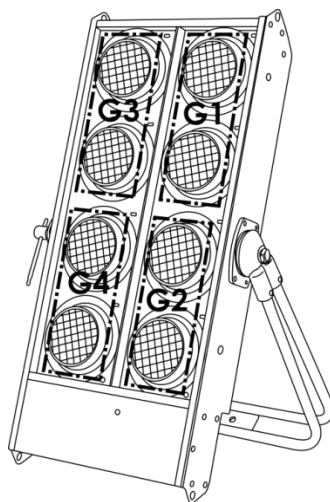
To link fixtures together, you must obtain data cables. You can purchase DAP Audio certified DMX cables directly from a dealer/distributor or construct your own cable. If you choose to create your own cable, please use data-grade cables that can carry a high quality signal and are less prone to electromagnetic interference.

### DAP Audio DMX Data Cables

- DAP Audio Basic microphone cable for allround use. bal. XLR/M 3-pin > XLR/F 3-pin. **Ordercode** FL01150 (1,5 m), FL013 (3 m), FL016 (6 m), FL0110 (10 m), FL0115 (15 m), FL0120 (20 m).
- DAP Audio X-type data cable XLR/M 3-pin > XLR/F 3-pin. **Ordercode** FLX0175 (0,75 m), FLX01150 (1,5 m), FLX013 (3 m), FLX016 (6 m), FLX0110 (10 m).
- DAP Audio cable for the demanding user with exceptional audio-qualities and connector made by Neutrik®. **Ordercode** FL71150 (1,5 m), FL713 (3 m), FL716 (6 m), FL7110 (10 m).
- DAP Audio cable for the demanding user with exceptional audio-qualities and connector made by Neutrik®. **Ordercode** FL7275 (0,75 m), FL72150 (1,5 m), FL723 (3 m), FL726 (6 m), FL7210 (10 m).
- DAP Audio 110 Ohm cable with digital signal transmission. **Ordercode** FL0975 (0,75 m), FL09150 (1,5 m), FL093 (3 m), FL096 (6 m), FL0910 (10 m), FL0915 (15 m), FL0920 (20 m).

## DMX Channels

### 2 channels



#### Channel 1 – Dimmer (G2 and/or G4)

0-255 Dimmer intensity, from OFF to full ON

#### Channel 2 – Dimmer (G1 and/or G3)

0-255 Dimmer intensity, from OFF to full ON

### Maintenance

---

The operator has to make sure that safety-related and machine-technical installations are to be inspected by an expert after every year in the course of an acceptance test.

The operator has to make sure that safety-related and machine-technical installations are to be inspected by a skilled person once a year.

The following points have to be considered during the inspection:

- 01) All screws used for installing the device or parts of the device have to be tightly connected and must not be corroded.
- 02) There may not be any deformations on housings, fixations and installation spots.
- 03) Mechanically moving parts like axles, eyes and others may not show any traces of wearing.
- 04) The electric power supply cables must not show any damages or material fatigue.

The Stage Blinder requires almost no maintenance. However, you should keep the unit clean.

Otherwise, the fixture's light output will be significantly reduced. Disconnect the mains power supply, and then wipe the cover with a damp cloth. Do not immerse in liquid. Wipe lamps clean with glass cleaner and a soft cloth. Do not use alcohol or solvents.

The lamps will require weekly cleaning, as smoke-fluid tends to build up residues, reducing the light output very quickly.

Please clean internal components once a year with a light brush and vacuum cleaner.

Keep connections clean. Disconnect electric power, and then wipe the DMX connections with a damp cloth. Make sure connections are thoroughly dry before linking equipment or supplying electric power.

### Changing the Lamp

- 01) Disconnect mains power supply. Loosen the 2 screws on the back of the housing.
- 02) Follow directions for installing a new lamp, page 8.

### Replacing the Fuse

Power surges, short-circuit or inappropriate electrical power supply may cause a fuse to burn out. If the fuse burns out, the product will not function whatsoever. If this happens, follow the directions below:

- 01) Unplug the unit from electric power source.
- 02) Insert a flat-head screwdriver into a slot in the fuse cover. Turn the screwdriver to the left, at the same time gently push a bit (Turn and Push). The fuse will come out.
- 03) Remove the used fuse. If brown or unclear, it is burned out.
- 04) Insert the replacement fuse into the holder where the old fuse was. Reinsert the fuse cover. Be sure to use a fuse of the same type and specification. See the product specification label for details.

### Troubleshooting

---

This troubleshooting guide is meant to help solve simple problems.

If a problem occurs, carry out the steps below in sequence until a solution is found. Once the unit operates properly, do not carry out following steps.

#### No Light

If the light effect does not operate properly, refer servicing to a technician.

Suspect three potential problem areas as: the power supply, the lamp, the fuse.

- 01) Power supply. Check if the unit is plugged into an appropriate power supply.
- 02) The lamp. Replace the lamp. See page 14.
- 03) The fuse. Replace the fuse. See page 14 for replacing the fuse.
- 04) If all of the above appears to be O.K., plug the unit in again.
- 05) If you are unable to determine the cause of the problem, do not open the Stage Blinder, as this may damage the unit and the warranty will become void.
- 06) Return the device to your Showtec dealer.

#### No Response to DMX

Suspect the DMX cable or connectors, a controller malfunction, a light effect DMX card malfunction.

- 01) Check the DMX setting. Make sure that DMX addresses are correct.
- 02) Check the DMX cable: Unplug the unit; change the DMX cable; then reconnect to electrical power. Try your DMX control again.
- 03) Determine whether the controller or light effect is at fault. Does the controller operate properly with other DMX products? If not, take the controller in for repair. If so, take the DMX cable and the light effect to a qualified technician.



Problem	Probable cause(s)	Solution
One or more fixtures do not function at all	No power to the fixture	<ul style="list-style-type: none"> <li>Check if power is switched on and cables are plugged in</li> </ul>
	Primary fuse blown	<ul style="list-style-type: none"> <li>Replace fuse</li> </ul>
Fixtures reset correctly, but all respond erratically or not at all to the controller	The controller is not connected	<ul style="list-style-type: none"> <li>Connect controller</li> </ul>
	3-pin XLR Out of the controller does not match XLR Out of the first fixture on the link (i.e. signal is reversed)	<ul style="list-style-type: none"> <li>Install a phase reversing cable between the controller and the first fixture on the link</li> </ul>
Fixtures reset correctly, but some respond erratically or not at all to the controller	Poor data quality	<ul style="list-style-type: none"> <li>Check data quality. If much lower than 100 percent, the problem may be a bad data link connection, poor quality or broken cables, missing termination plug, or a defective fixture disturbing the link</li> </ul>
	Bad data link connection	<ul style="list-style-type: none"> <li>Inspect connections and cables. Correct poor connections. Repair or replace damaged cables</li> </ul>
	Data link not terminated with 120 Ohm termination plug	<ul style="list-style-type: none"> <li>Insert termination plug in output jack of the last fixture on the link</li> </ul>
	Incorrect addressing of the fixtures	<ul style="list-style-type: none"> <li>Check address setting</li> </ul>
	One of the fixtures is defective and disturbs data transmission on the link	<ul style="list-style-type: none"> <li>Bypass one fixture at a time until normal operation is restored: unplug both connectors and connect them directly together.</li> <li>Have the defective fixture serviced by a qualified technician</li> </ul>
	3-pin XLR Out on the fixtures does not match (pins 2 and 3 reversed)	<ul style="list-style-type: none"> <li>Install a phase-reversing cable between the fixtures or swap pin 2 and 3 in the fixture that behaves erratically</li> </ul>
No light or lamp cuts out intermittently	Fixture is too hot	<ul style="list-style-type: none"> <li>Allow the fixture to cool down</li> <li>Make sure air vents are not blocked</li> <li>Turn up the air conditioning</li> </ul>
	Lamp is damaged	<ul style="list-style-type: none"> <li>Disconnect the fixture and return it to your dealer</li> </ul>
	The power supply settings do not match local AC voltage and frequency	<ul style="list-style-type: none"> <li>Disconnect fixture. Check settings and correct if necessary</li> </ul>

## Product Specifications

Model:	Showtec Stage Blinder 8 DMX
Input voltage:	240V AC, 50Hz
Power consumption:	2 x 2600W (full output)
DMX linking:	30pcs
Fuse:	F15AL/250V
Dimensions:	485 x 84 x 810 mm (LxWxH)
Weight:	10,9 kg
<b>Operating and Programming:</b>	
Signal pin OUT:	Pin 1 (earth), pin 2 (-), pin 3 (+)
DMX Mode:	2 channels
Signal input:	3-pin XLR IN
Signal output:	3-pin XLR OUT
<b>Lamp</b>	
Allowed lamp models*:	<a href="#">80117</a> – Par 36 G53 Screw MFL GE
<b>Electro-mechanical effects:</b>	
Light source:	8 x Par 36 120V/650W (DWE)
Dimmer:	0-100%
Housing:	Aluminum
Color:	Black
IP rating:	IP-20
DMX control:	via standard DMX controller
Onboard:	2 x DIP switch control panel
Control:	Auto, Manual, DMX
Connections:	Fixed cable without plug & 3-pin XLR IN/OUT
Max. ambient temperature $t_a$ :	40°C
Max. housing temperature $t_B$ :	80°C
<b>Minimum distance:</b>	
Minimum distance from flammable surfaces:	0,5 m
Minimum distance to lighted object:	2 m

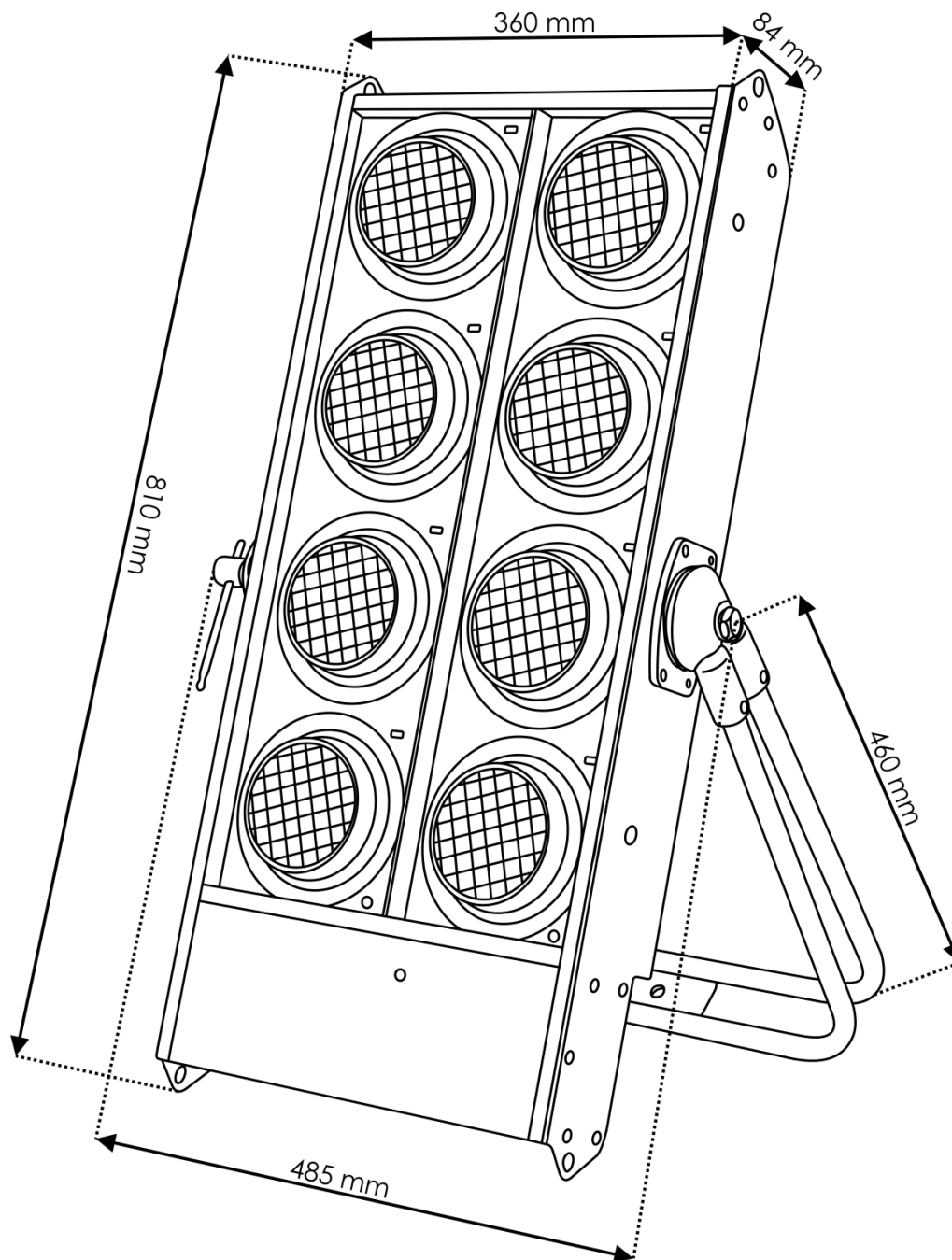
\*: Versions for other lamps may be produced. Please check the specification label on your product.

Design and product specifications are subject to change without prior notice.



Website: [www.Showtec.info](http://www.Showtec.info)  
 Email: [service@highlite.nl](mailto:service@highlite.nl)

## Dimensions





©2018 Showtec