

## SAFETY FIRST

This document is to be used in conjunction with the full user guide available from the manufacturer or to download at [bossacesstowers.com/literature](http://bossacesstowers.com/literature).

### Safe use

Please read this guide carefully. Please note that diagrams are for illustrative purposes only.

- Check that all components are onsite, undamaged and that they are functioning correctly - (refer to Checklist and Quantity Schedules in the user guide). Damaged or incorrect components should not be used.
- Check ground on which tower is to be erected and moved is capable of supporting the tower.
- The safe working load is 275kgs (606lbs), per platform level, uniformly distributed up to a maximum of 950kgs (2100lbs), per tower (including self-weight).
- Beware of horizontal forces (e.g. power tools) which could generate instability.
- Maximum horizontal force equals 30kg.
- Towers must only ever be climbed from the inside and using the rungs directly below the trapdoor.
- It is recommended that towers should be tied to a solid structure when left unattended.
- Only use the adjustable legs to level the tower and not to gain extra height. Adjustable legs should only ever be extended to minimum amount required to level the tower.

### Lifting of equipment

- Tower components should be lifted using a reliable lifting material (e.g. strong rope), employing a reliable knot (e.g. clove hitch), to ensure safe fastening and always lift within the footprint of the tower.
- Assembled mobile towers should not be lifted with a crane or other lifting device.
- Ensure the safe working load of the supporting decks and the tower structure is not exceeded.

### Movement

- The tower should only be moved by manual effort, and only from the base.
- No person or materials should be on the tower during movement.
- Caution should be exercised when wheeling a tower over rough, uneven or sloping ground, taking care to unlock and lock castors. If stabilisers are fitted, they should only be lifted a maximum of 25mm above the ground to clear ground obstructions.
- The overall height of the tower when being moved, should not exceed 2.5 times the minimum base dimensions, or 4 metres overall height with stabilisers fitted in the correct position (whichever is the smallest). If stabilisers are not fitted in the standard position, the overall height of the tower should not exceed 2m.
- Before use, check the tower is still correct and complete.
- After every movement of the tower use a spirit level to check that it is vertical and level to within 10mm/m and set the adjustable legs as required.
- Do not move the tower in wind speeds over 7.7 metres per second (17 mph).
- Mobile access towers are not designed to be lifted or suspended.

**NOTE: If the tower is moved, you MUST inspect prior to use.**

### Ties

For further information on tying-in a tower please contact your supplier or the manufacturer.

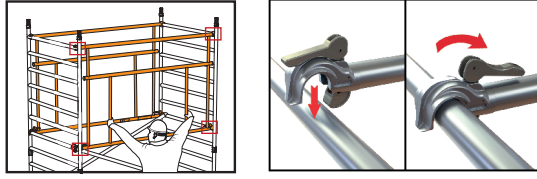
### Maintenance - storage - transport

All components and their parts should be regularly inspected to identify damage, particularly to joints. Lost or broken parts should be replaced, and any tubing with indentation greater than 5mm must not be used.

## PRE-USE SAFETY CHECKLIST

Refer to this checklist before using each time.

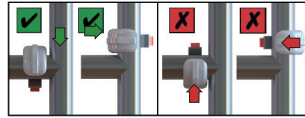
Description	Yes
Tower structure upright and level	
Castors locked and legs correctly adjusted	
Horizontal and diagonal braces fitted	
Stabilisers and props fitted as specified	
Platforms located and wind-locks engaged	
Interlock clips engaged	
Toe boards located	
Guardrails fitted correctly and positively locked	
Tower designation information kit fitted	



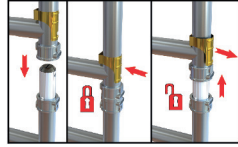
Ensure camlocks are engaged.

Ensure horizontal braces and guardrails are fitted correctly. Always fit as shown.

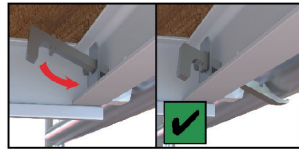
Refer to this checklist before using each time.



Ensure horizontal braces and guardrails are fitted correctly.



Ensure interlock clips on frame members are in the 'locked' position.



Ensure wind-locks are engaged before moving onto the deck levels.

# BOSS®



## CLIMA AGR

Mobile Aluminium Tower with Climbing Frames 850/1450 Camlock Advanced Guardrail

QUICK GUIDE

PN3304600

©2017 WernerCo Rev. 12/17

## QUANTITY SCHEDULE 850 WIDTH TOWERS

BoSS Clima 850 to EN 1004: Available in 2 lengths - 1.8m and 2.5m. Internal/external use - towers under 2.5m are outside of the scope of EN 1004

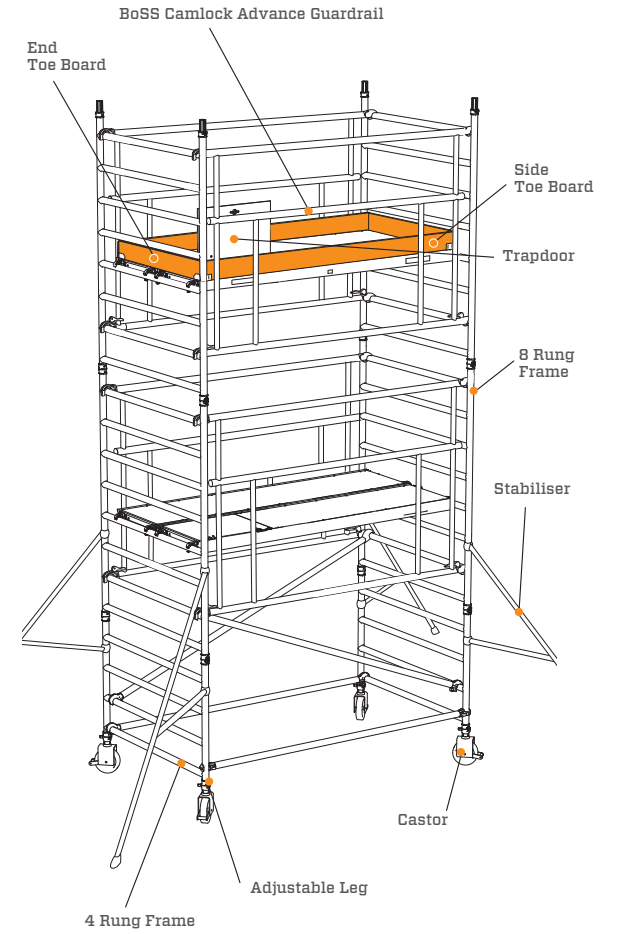
Component	Working height(m) Platform height (m)	Internal or external use										Internal use only					
		4.2 2.2	4.7 2.7	5.7 3.7	6.2 4.2	6.7 4.7	7.7 5.7	8.2 6.2	8.7 6.7	9.7 7.7	10.2 8.2	10.7 8.7	11.7 9.7	12.2 10.2	12.7 10.7	13.7 11.7	14.2 12.2
125/150/200mm Castor		4	4	4	4	4	4	4	4	4	4	4	4	4	4	4	4
250mm Adjustable Leg		4	4	4	4	4	4	4	4	4	4	4	4	4	4	4	4
850 4 Rung Frame		2		2	2	2	2	2	2	2	2	2	2	2	2	2	2
850 6 Rung Frame			2	2		2	2		2	2		2	2		2	2	
850 8 Rung Frame		2	2	2	4	4	4	6	6	6	8	8	8	10	10	10	12
1.8m/2.5m Trap Deck		1	2	2	2	3	3	3	4	4	4	5	5	5	6	6	6
1.8m/2.5m Horizontal Brace (Red)		2	2	2	2	2	2	2	2	2	2	2	2	2	2	2	2
2.1m/2.7m Diagonal Brace (Blue)		2	2	2	2	2	2	2	2	2	2	2	2	2	2	2	2
1.8m/2.5m Side Toe Board		2	2	2	2	2	2	2	2	2	2	2	2	2	2	2	2
0.6m End Toe Board		2	2	2	2	2	2	2	2	2	2	2	2	2	2	2	2
Toe Board Holder		4	4	4	4	4	4	4	4	4	4	4	4	4	4	4	4
1.8m/2.5m Camlock AGR		2	2	4	4	4	6	6	6	8	8	8	10	10	10	12	12
SP7 Fixed Stabiliser		4	4	4	4	4											
SP10 Telescopic Stabiliser						4	4	4	4		4	4	4	4	4	4	4
SP15 Telescopic Stabiliser										4							
<b>Total Self-Weight of Tower (kg) - 1.8m</b>		<b>112</b>	<b>130</b>	<b>154</b>	<b>158</b>	<b>176</b>	<b>212</b>	<b>216</b>	<b>234</b>	<b>258</b>	<b>276</b>	<b>279</b>	<b>303</b>	<b>307</b>	<b>325</b>	<b>349</b>	<b>353</b>
<b>Total Self-Weight of Tower (kg) - 2.5m</b>		<b>124</b>	<b>147</b>	<b>173</b>	<b>177</b>	<b>200</b>	<b>239</b>	<b>242</b>	<b>265</b>	<b>292</b>	<b>310</b>	<b>318</b>	<b>345</b>	<b>348</b>	<b>371</b>	<b>398</b>	<b>401</b>

## QUANTITY SCHEDULE 1450 WIDTH TOWERS

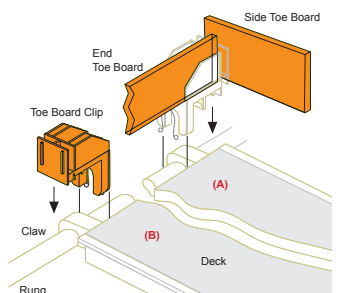
BoSS Clima 1450 to EN 1004: Available in 2 lengths - 1.8m and 2.5m. Internal/external use - towers under 2.5m are outside of the scope of EN 1004

Component	Working height (m) Platform height (m)	Internal or external use										Internal use only					
		4.2 2.2	4.7 2.7	5.7 3.7	6.2 4.2	6.7 4.7	7.7 5.7	8.2 6.2	8.7 6.7	9.7 7.7	10.2 8.2	10.7 8.7	11.7 9.7	12.2 10.2	12.7 10.7	13.7 11.7	14.2 12.2
125/150/200mm Castor		4	4	4	4	4	4	4	4	4	4	4	4	4	4	4	4
250mm Adjustable Leg		4	4	4	4	4	4	4	4	4	4	4	4	4	4	4	4
1450 4 Rung Frame		2		2	2	2	2	2	2	2	2	2	2	2	2	2	2
1450 6 Rung Frame			2	2		2	2		2	2		2	2		2	2	
1450 8 Rung Frame		2	2	2	4	4	4	6	6	6	8	8	8	10	10	10	12
1.8m/2.5m Fixed Deck		1	1	2	2	2	3	3	3	4	4	4	5	5	5	6	6
1.8m/2.5m Trap Deck		1	2	2	2	3	3	3	4	4	4	5	5	5	6	6	6
1.8m/2.5m Horizontal Brace (Red)		2	2	2	2	2	2	2	2	2	2	2	2	2	2	2	2
2.1m/2.7m Diagonal Brace (Blue)		2	2	2	2	2	2	2	2	2	2	2	2	2	2	2	2
1.8m/2.5m Side Toe Board		2	2	2	2	2	2	2	2	2	2	2	2	2	2	2	2
1.2m End Toe Board		2	2	2	2	2	2	2	2	2	2	2	2	2	2	2	2
Toe Board Holder		4	4	4	4	4	4	4	4	4	4	4	4	4	4	4	4
1.8m/2.5m Camlock AGR		2	2	4	4	4	6	6	6	8	8	8	10	10	10	12	12
SP7 Fixed Stabiliser		4	4	4	4	4											
SP10 Telescopic Stabiliser						4	4	4	4	4	4	4	4	4	4	4	4
<b>Total Self-Weight of Tower (kg) - 1.8m</b>		<b>136</b>	<b>155</b>	<b>196</b>	<b>201</b>	<b>220</b>	<b>261</b>	<b>279</b>	<b>297</b>	<b>338</b>	<b>343</b>	<b>362</b>	<b>403</b>	<b>408</b>	<b>427</b>	<b>468</b>	<b>473</b>
<b>Total Self-Weight of Tower (kg) - 2.5m</b>		<b>153</b>	<b>177</b>	<b>226</b>	<b>231</b>	<b>255</b>	<b>303</b>	<b>321</b>	<b>345</b>	<b>393</b>	<b>398</b>	<b>422</b>	<b>471</b>	<b>475</b>	<b>499</b>	<b>548</b>	<b>553</b>

## COMPONENTS



## FITTING TOE BOARDS



## ASSEMBLY PRINCIPLES

The manufacturer recommends that two persons are used to build BoSS Towers. Above 4m height, it is essential that at least two persons are used.

Only climb the tower from the inside.

Always start building with the smallest height frames at the base of the tower:

850 & 1450 towers:

Platform height in metres	Frame at base
2.2, 4.2, 6.2, 8.2, 10.2, 12.2	4 rung
2.7, 4.7, 6.7, 8.7, 10.7	6 rung
3.7, 5.7, 7.7, 9.7, 11.7	4 & 6 rung

Where all three frame heights are used in a tower, start with 4 rung frames at the base, with the 6 rung frames next and the 8 rung frames on the top. Refer to the Quantity Schedules for detail. The procedure illustrated shows a 1450 tower starting with a 4 rung frame and a platform height of 4.2m. If building an 850 tower, the following method can be used with single decks at all levels.

## During use

Beware of high winds in exposed, gusty or medium breeze conditions. We recommend that in wind speeds over 7.7 metres per second (17mph), cease working on the tower and do not attempt to move it. If the wind becomes a strong breeze, (expected to reach 11.3 metres per second - 25 mph) tie the tower to a rigid structure. If the wind is likely to reach gale force, (over 18 metres per second - 40 mph) the tower should be dismantled.

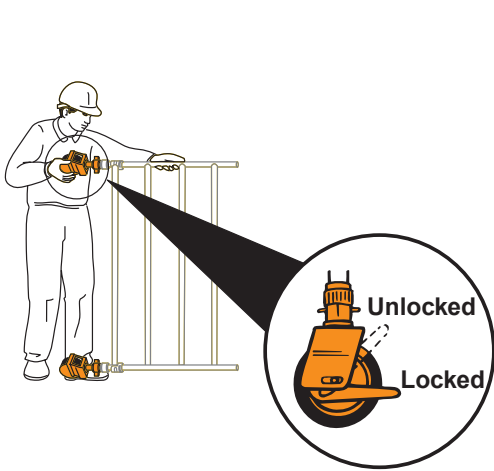
Wind description	Beaufort scale	Beaufort no.	Speed in mph	Speed in m/sec
Medium breeze	Raises dust and loose paper, twigs snap off	4	8 - 12	4 - 6
Strong breeze	Large branches in motion, telegraph wires whistle	6	25 - 31	11 - 14
Gale force	Walking is difficult	8	39 - 46	17 - 21

- Beware of open-ended buildings, which can cause a funneling effect.
- Raising and lowering components, tools, and/or materials by rope should be conducted within the tower base. Ensure that the safe working load of the supporting decks and the tower structure is not exceeded.
- The assembled tower is a working platform and should not be used as a means of access or egress to other structures.
- Beware of horizontal forces (e.g. power tools) which could generate instability. **Maximum horizontal force 20kg.**
- The stairway towers, featuring an inclined staircase access, are for frequent use by personnel carrying tools and/or materials.
- Do not use boxes or stepladders or other objects on the platform to gain extra height.

## ASSEMBLY PROCEDURE

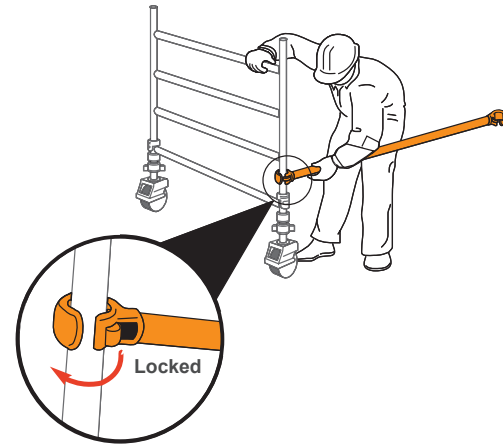
### AGR Method

- 1** Push four castors onto four adjustable legs. Insert adjustable legs into two end frames as shown. Lock castor brakes. Base plates can be fitted to adjustable legs if it is not necessary to move the tower.

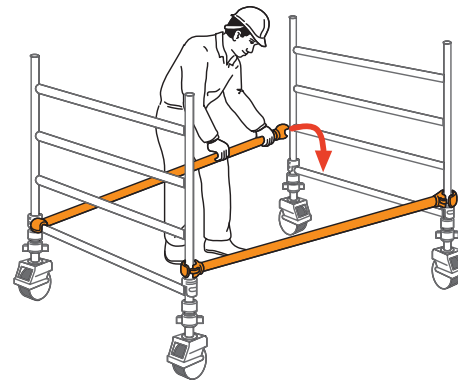


- 2** Fit one horizontal brace (red) onto the vertical of an end frame, just above the bottom rung, with the claw facing outwards.

**Note: All locking claws must be opened before fitting.**

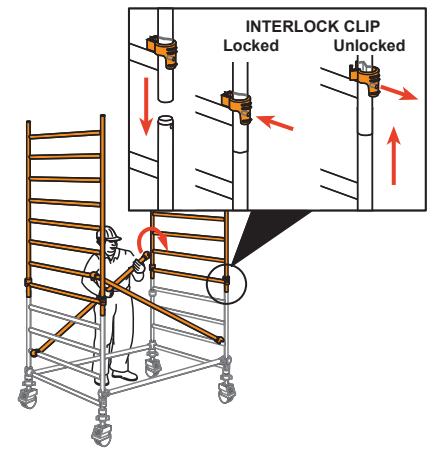


- 3** Position the second end frame as shown and fit the other end of the horizontal brace onto the vertical, just above the bottom rung. Fit a second horizontal brace on the bottom rungs on the other side of the frames to square the tower.

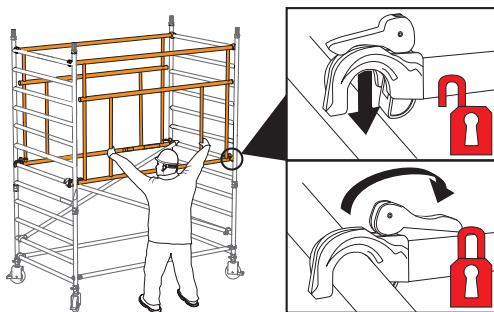


- 4** Fit two additional end frames and check the frame interlock clips are engaged. Fit two diagonal braces (blue) in opposing directions, from the 2nd rung to the 6th rung on the opposing side. Ensure the frames are vertical and level by checking with a spirit level and setting the adjustable legs as required.

**IMPORTANT - Only use the adjustable legs to level the tower and not to gain extra height.**

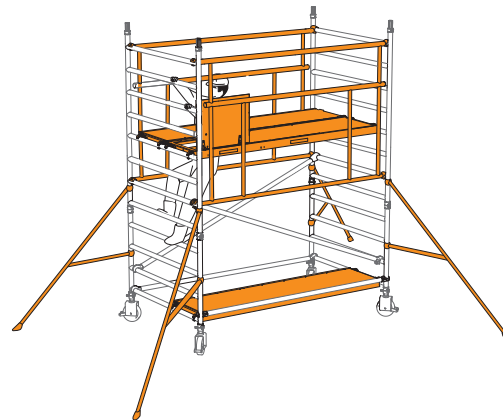


- 5** Fit an AGR on both sides of the tower. The bottom of the AGR must be fitted to the 6th rung of the tower, as shown. The AGR should be placed up against the end frame verticals.



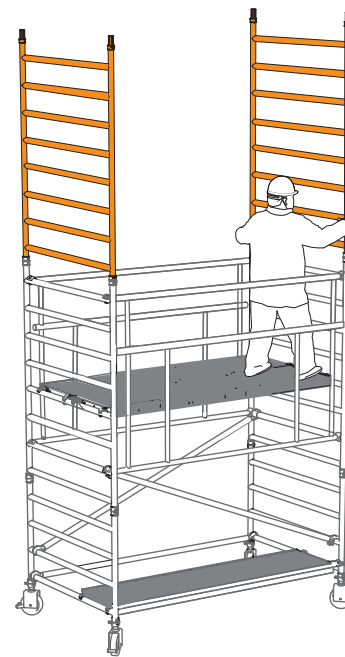
- 6** Fit the stabilisers. If required, fit a temporary deck on the lowest rungs of the tower. Fit a trapdoor deck on the 8th rung on one side of the tower. Ensure the trapdoor is positioned with the hinges towards the outside of the tower as shown. Fit a fixed deck next to the trapdoor deck on the 8th rung. The platform is now complete. Climb the end frame below the trapdoor on the inside of the tower.

If fitted, remove the temporary deck from the lowest rungs.



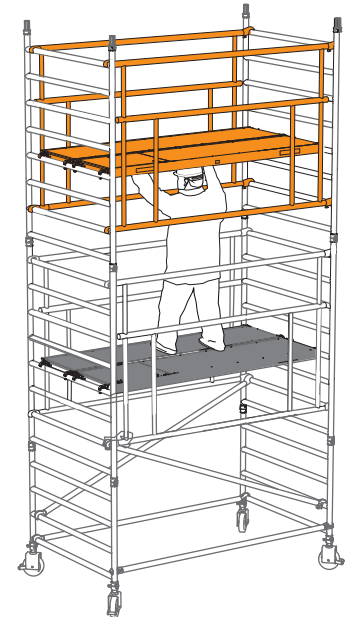
**NOTE: The following diagrams show the tower without stabilisers to improve clarity of views.**

- 7** Fit two additional end frames.

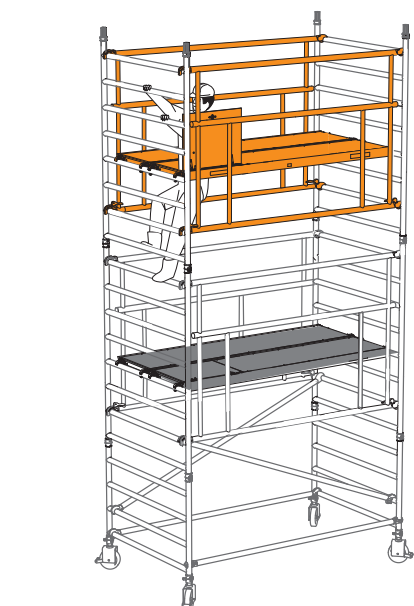


- 8** Fit two more AGRs to the end frames, with the top claws on the 20th rungs. Fit a trapdoor deck on the 16th rung, with the trapdoor in line with the one below. Place a fixed deck on the 16th rung next to the trapdoor deck.

The tower now has a platform height of 4.2m. If finishing at this height, move on to Step 10. If greater platform heights are required, move on to Step 9.



- 9** Continue to add pairs of end frames, AGRs and fit decks as shown in the previous steps. Continue until the required height is reached.



- 10** Fit the toe boards - see the components section for guidance on how to fit.

The tower is now complete.



## DISMANTLING PROCEDURE

To take down the tower reverse the building sequence. Unlock the camlocks at the bottom of the AGR frame, then lift off the AGR from the end frames.

